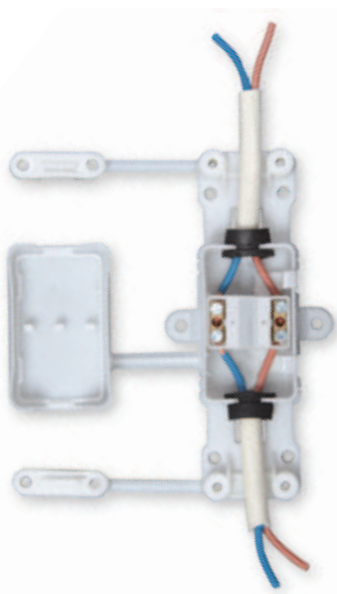


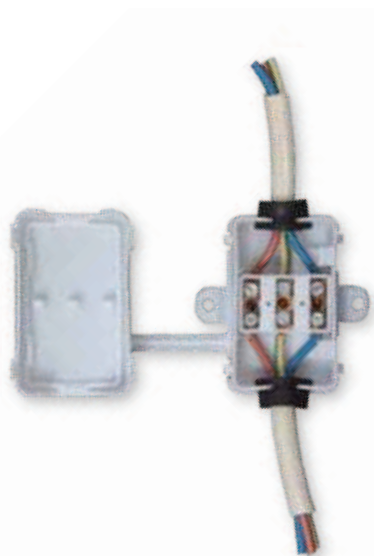
# ISET BOXES IP44

**CERTIFIED BY LCIE - PATENTED PRODUCT**

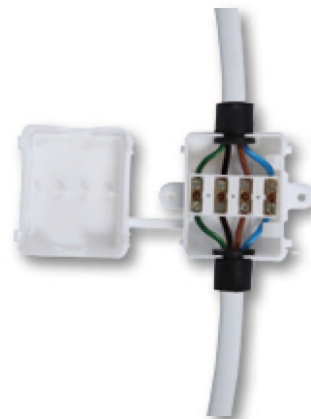
SET SÉRIE 200 - 2 PÔLES  
 ISET SÉRIE 300 - 3 PÔLES  
 ISET SÉRIE 400 - 4 PÔLES



ISET 200



ISET 300



ISET 400

## PURPOSE

- To provide an insulation cover Class I or Class II, with an IP44 degree of protection for 2 or 3-pole connections. Carry out connection as follows:
  - Long sleeve: 2 or 3 single wire insulated 1.5 mm<sup>2</sup> from the mains supply (wall, ceiling power outlet, etc)
  - Small twin hole sleeve: 1 or 2 flat cables, double insulation, H03 V V H2F type
  - Small single hole sleeve: a round cable double insulation, 3 x 0.75 to 3 x 1.5 mm<sup>2</sup>

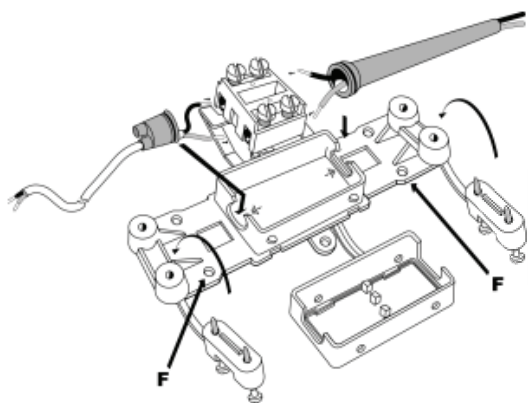
## FEATURES

- Made of injection moulded insulating thermoplastic that meets the incandescent wire test requirements
- Suitable for continuous use at 105°C
- IP44 protection
- Consists of a box + cover assembly with a HINGED TERMINAL BLOCK and 2 quick fit-sleeves in order to enable easy connection
  - The 8 cm flexible sleeve provides additional insulation to single insulation wires from the mains supply as well as the IP protection to the box
  - The small sleeves provide IP protection at opposite side and assure cord grip function
- Colour: white
- Overall dimensions, box closed: 50 x 30 x 15 mm without cable grips
- Overall dimensions, box closed: 100 x 30 x 15 mm with two cable grips

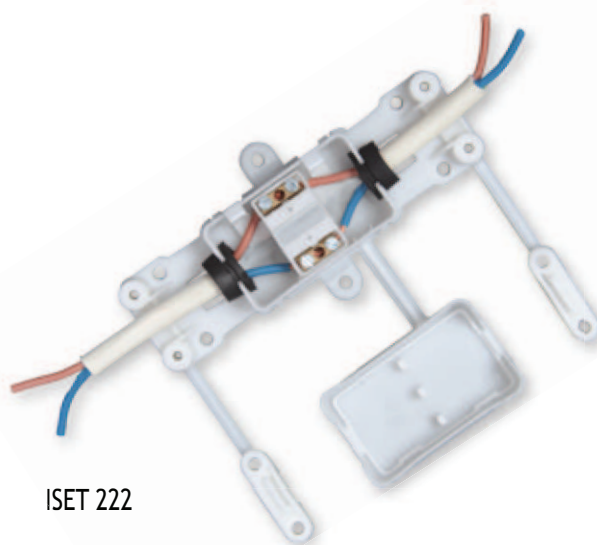
**IP CONNECTION BOXES**

# ISET BOXES IP44

CERTIFIED BY LCIE - PATENTED PRODUCT



ISET 222



## ADVANTAGES

- ISET IP44 allows to connect lightings outside or in humid rooms like bathrooms or kitchens
- The HINGED TERMINAL BLOCK enables quick and easy connection
- Captive parts
- Can be used in Class II metal lamps without the need for any additional fittings. Compliance with European Standard EN 60598

## ASSEMBLY

- Insert the long sleeve on the wires coming from the mains supply
- The small sleeves are inserted on the cables coming from one or more lightings
- Carry out connections of terminals while terminal block is hinged outside of the box
- Clip the terminal block into the box
- Insert sleeve end into box opening
- If present, lock cable grips
- Clip on the cover to close the box
- The box can be reopened by inserting a tool between the cover and the rim of the base plate

## CAUTION

- \* The earth conductor must be longer than phase and neutral conductors
- \* For options with cable grip the housing should be fixed using holes "F" situated at cable grips

## OPTIONS

- 2 terminal version
- 3 terminal version
- 4 terminal version
- Version with one small sleeve at either side
- Version with or without cable grip

IP CONNECTION BOXES

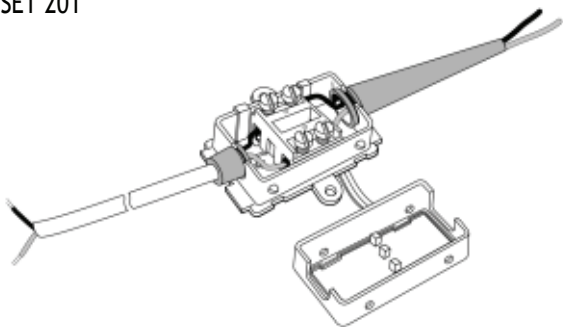
# ISET BOXES IP44

**CERTIFIED BY LCIE - PATENTED PRODUCT**

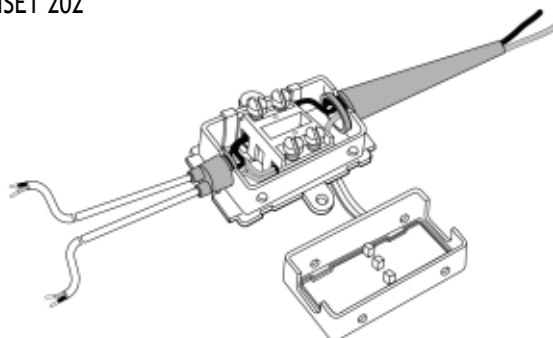
ISET SERIE 200 WITHOUT CABLE GRIP

ISET 201	P00098 796506
ISET 202	P00098 796507
ISET 203	P00098 796508
ISET 204	P00098 796509
ISET 205	P00098 796510

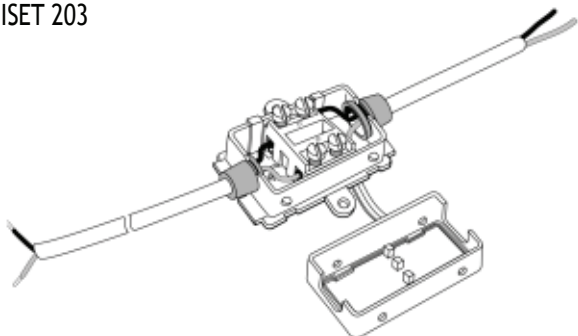
ISET 201



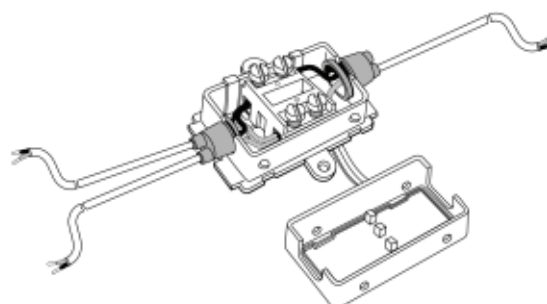
ISET 202



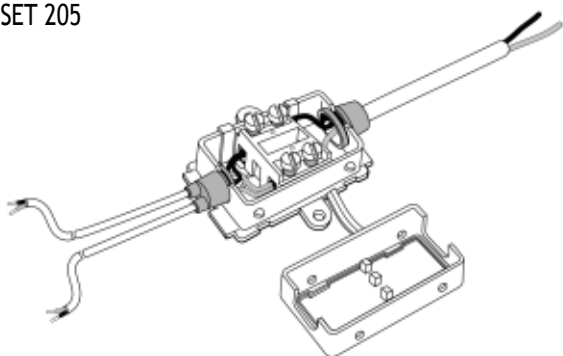
ISET 203



ISET 204



ISET 205



ISET 201



**IP CONNECTION BOXES**

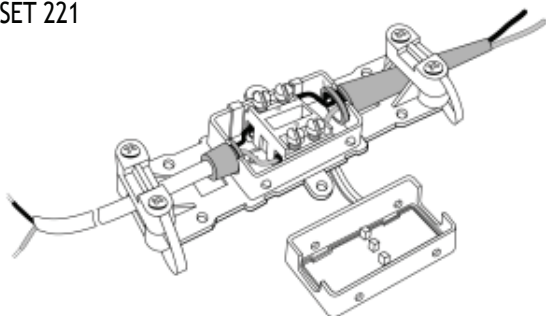
# ISET BOXES IP44

CERTIFIED BY LCIE - PATENTED PRODUCT

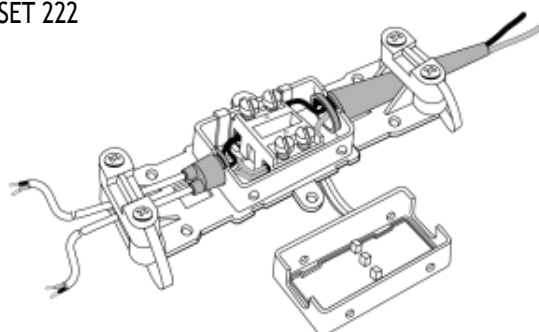
ISET SERIE 200 WITH CABLE GRIP

ISET 221	P00098 796511
ISET 222	P00098 796512
ISET 223	P00098 796513
ISET 224	P00098 796514
ISET 225	P00098 796515

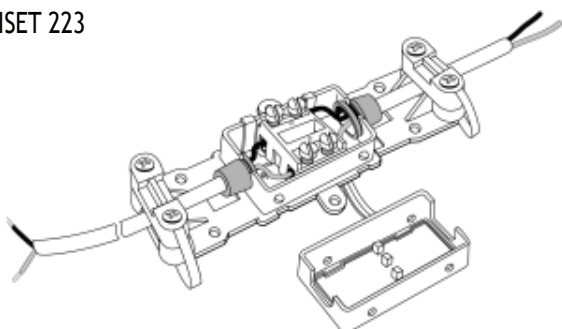
ISET 221



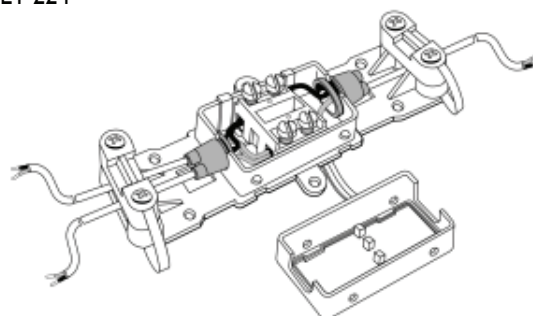
ISET 222



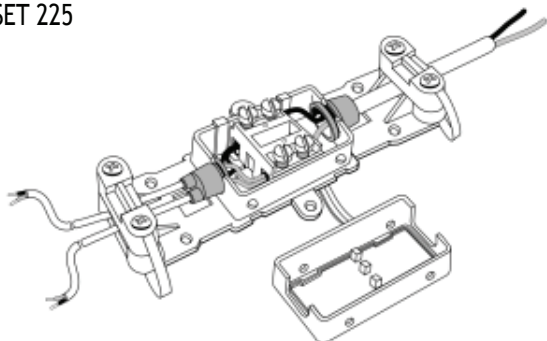
ISET 223



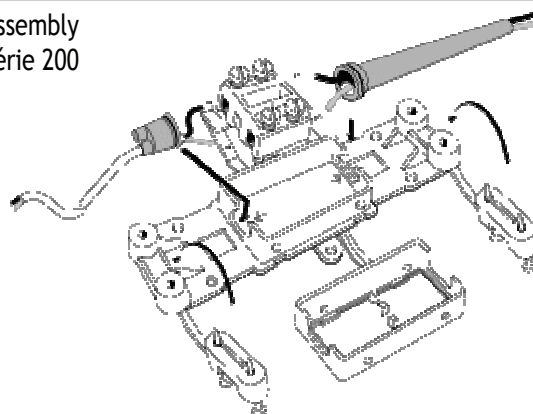
ISET 224



ISET 225



Assembly  
Série 200



IP CONNECTION BOXES

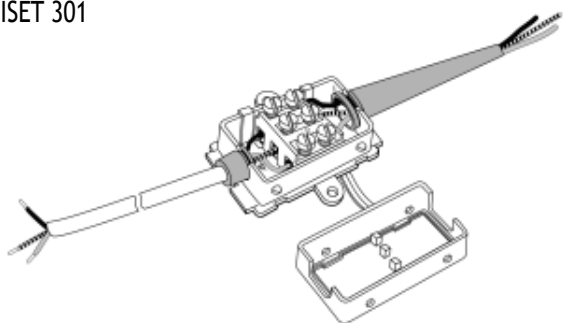
# ISET BOXES IP44

**CERTIFIED BY LCIE - PATENTED PRODUCT**

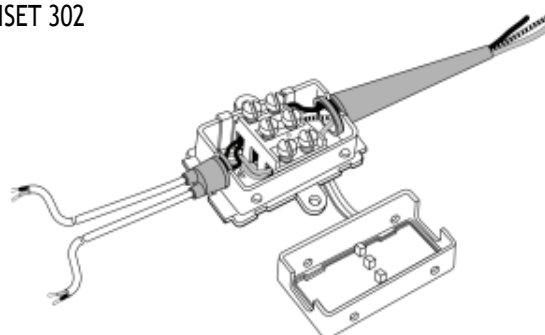
ISET SERIE 300 WITHOUT CABLE GRIP

ISET 301	P00098 796516
ISET 302	P00098 796517
ISET 303	P00098 796518
ISET 304	P00098 796519
ISET 305	P00098 796520

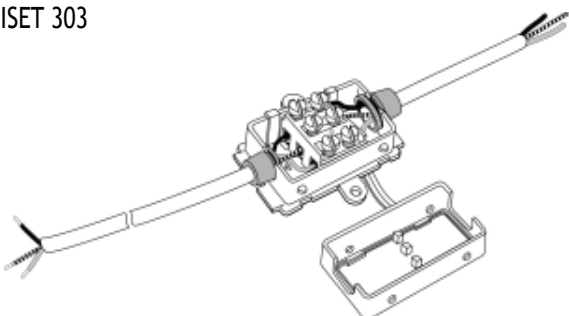
ISET 301



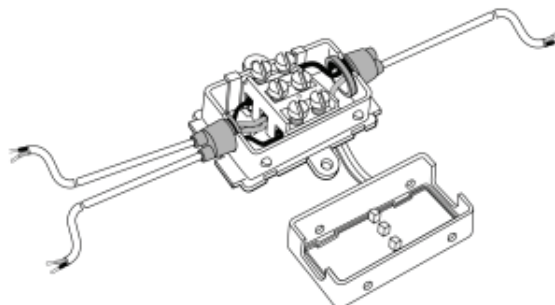
ISET 302



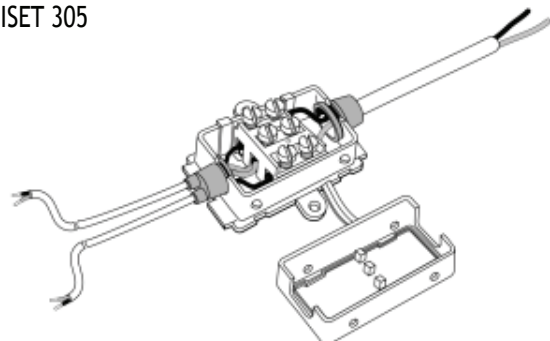
ISET 303



ISET 304



ISET 305



**IP CONNECTION BOXES**

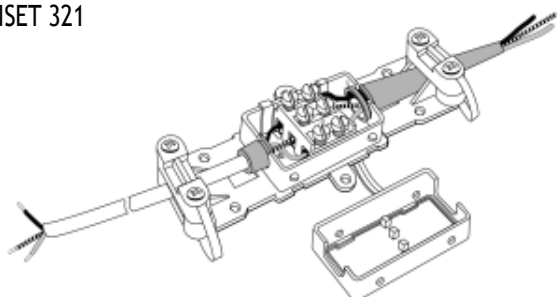
# IP44 CONNECTION BOXES

CERTIFIED BY LCIE - PATENTED PRODUCT

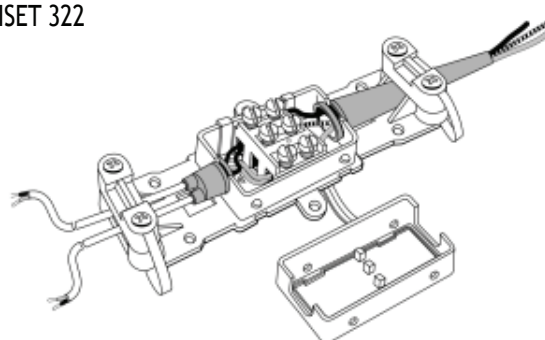
ISET SERIE 300 WITH CABLE GRIP

ISET 221	P00098 796521
ISET 222	P00098 796522
ISET 223	P00098 796523
ISET 224	P00098 796524
ISET 225	P00098 796525

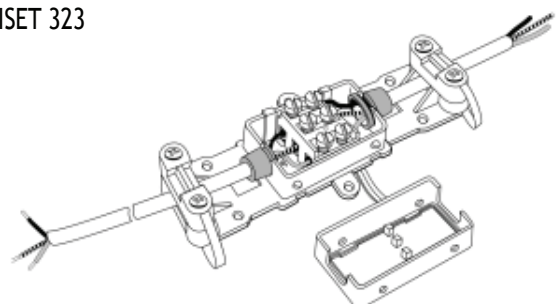
ISET 321



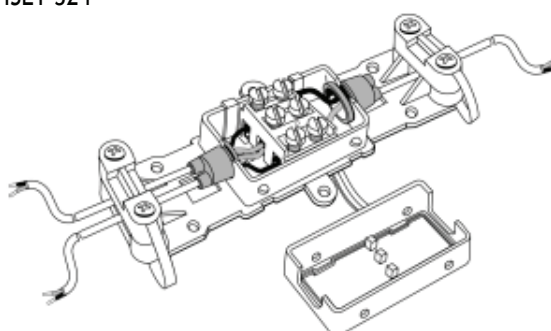
ISET 322



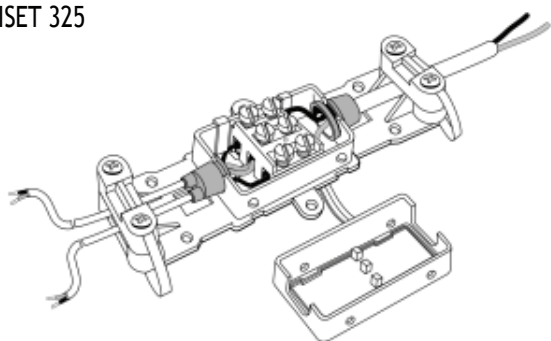
ISET 323



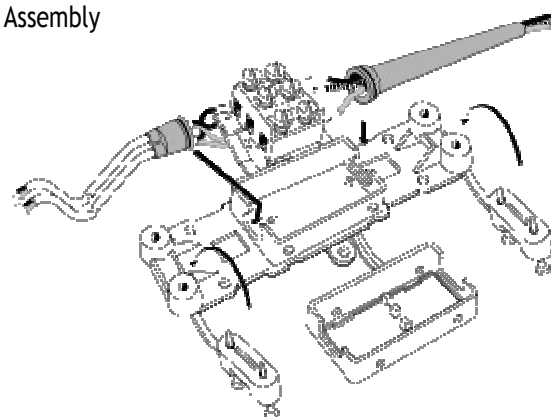
ISET 324



ISET 325



Assembly



IP CONNECTION BOXES

# ISET 4 POLES CONNECTION BOX

## A PATENTED WATERTIGHT IP44 CONNECTION BOX

ISET 401	TO BE CREATED
ISET 402	TO BE CREATED
ISET 403	000011 909802
ISET 404	000011 909803
ISET 405	000010 909801



### USE

- Links motorized roller shutters to a single network, in accordance with installation regulations

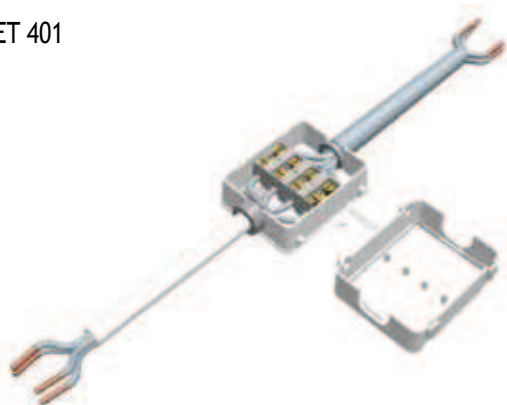
### FEATURES

- Thermoplastic injection moulded with insulating materials
- Connection box comprises an attached cover, a hinged terminal block and attachable sleeves to facilitate connection:
  - The long flexible 8 cm sleeve ensure additional insulation for single insulated conductors (1.5 mm<sup>2</sup> cross section) of electrical installations located in walls, ceilings etc., and ensures that the connection box remain watertight
  - The short sleeves are watertight and secure wires to the connecting box (Single sleeve for round double insulation wire 4 x 0.75 mm<sup>2</sup> to 4 x 1.5 mm<sup>2</sup> or double small sleeves for 1 to 2 double insulation rectangular wire type H03 V V H2F)
- Exterior dimensions for closed box:
  - ISET 4 poles: 50 x 40 x 15 mm
- Several options:
  - ISET 403: 4 poles with a small sleeve at either side for round cable
  - ISET 404: 4 poles with a small sleeve at either side for flat cable

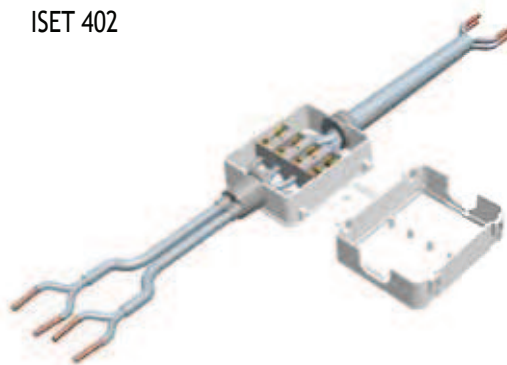
# ISET 4 POLES CONNECTION BOX

A PATENTED WATERTIGHT IP44 CONNECTION BOX

ISET 401



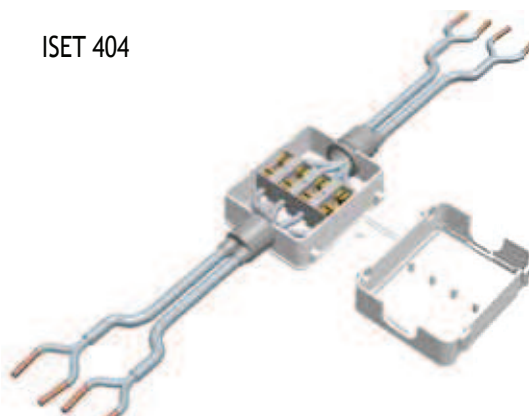
ISET 402



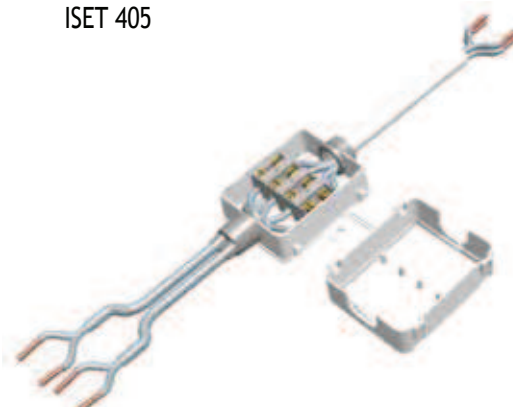
ISET 403



ISET 404



ISET 405



**IP CONNECTION BOXES**