

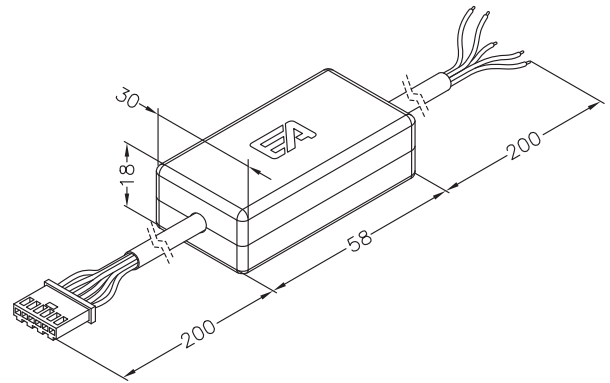
DRF

LED driver DC/DC (Step-Down) | DC/DC (Step-Down) LED driver
12-24Vdc | 200mA | 350mA



Input 12-24Vdc | Output 350/500mA

Schema di collegamento | Wiring layout | Cap. 11 - pag. 289



Codice Code	Input voltage (Vdc)	Valori singola uscita / Values to single output		
		Output (CC)	Max V Load	Max W Load
DRF0200...	12V	200mA	9.6V	1.9W
	24V		21.6V	4.3W
DRF0350...	12V	350mA	9.6V	3.3W
	24V		21.6V	7.5W

Cavi standard / Standard cables

Cavi PVC-PVC, sez. 0.25 mm, cm 20, con connettore MODU II
PVC-PVC cables, 0.25 mm section, cm 20, with MODU II connector

Dimmerabile / Dimmable

3 uscite dimmerabili PWM
3 output PWM dimming

Temperatura ambiente

Ambient temperature
 t_a : -20°C ~ +40°C

