

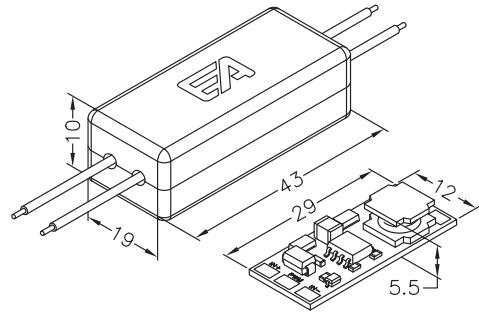
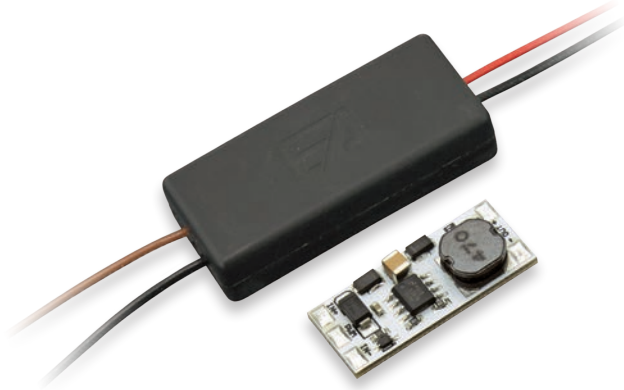
DRC

LED driver DC/DC (Step-Down) | DC/DC (Step-Down) LED driver
12-48Vdc | 350mA | 500mA | 700mA



Input 12-48Vdc | Output 350/500/700mA

Schema di collegamento | Wiring layout | Cap. 11 - pag. 291



Codice Code	Input voltage (Vdc)	Output (CC)	Uscita / Output	
			Max V Load	Max W Load
DRC0350008.W7001	12V	350mA	10.8V	3.7W
	24V		21.6V	7.6W
DRC0500012.W7001	12V	500mA	10.8V	5.4W
	24V		21.6V	10.8W
DRC0700016.W7001	12V	700mA	10.8V	7.5W
	24V		21.6V	15W
DRC0350C13.W7003	24V	350mA	19V	6.6W
	48V		38V	13.3W

Cavi standard / Standard cables
Cavi Teflon-FEP® AWG22 cm 20
Teflon-FEP® AWG22 cables (cm 20)

Temperatura ambiente
Ambient temperature
t_a: -20°C ~ +40°C

