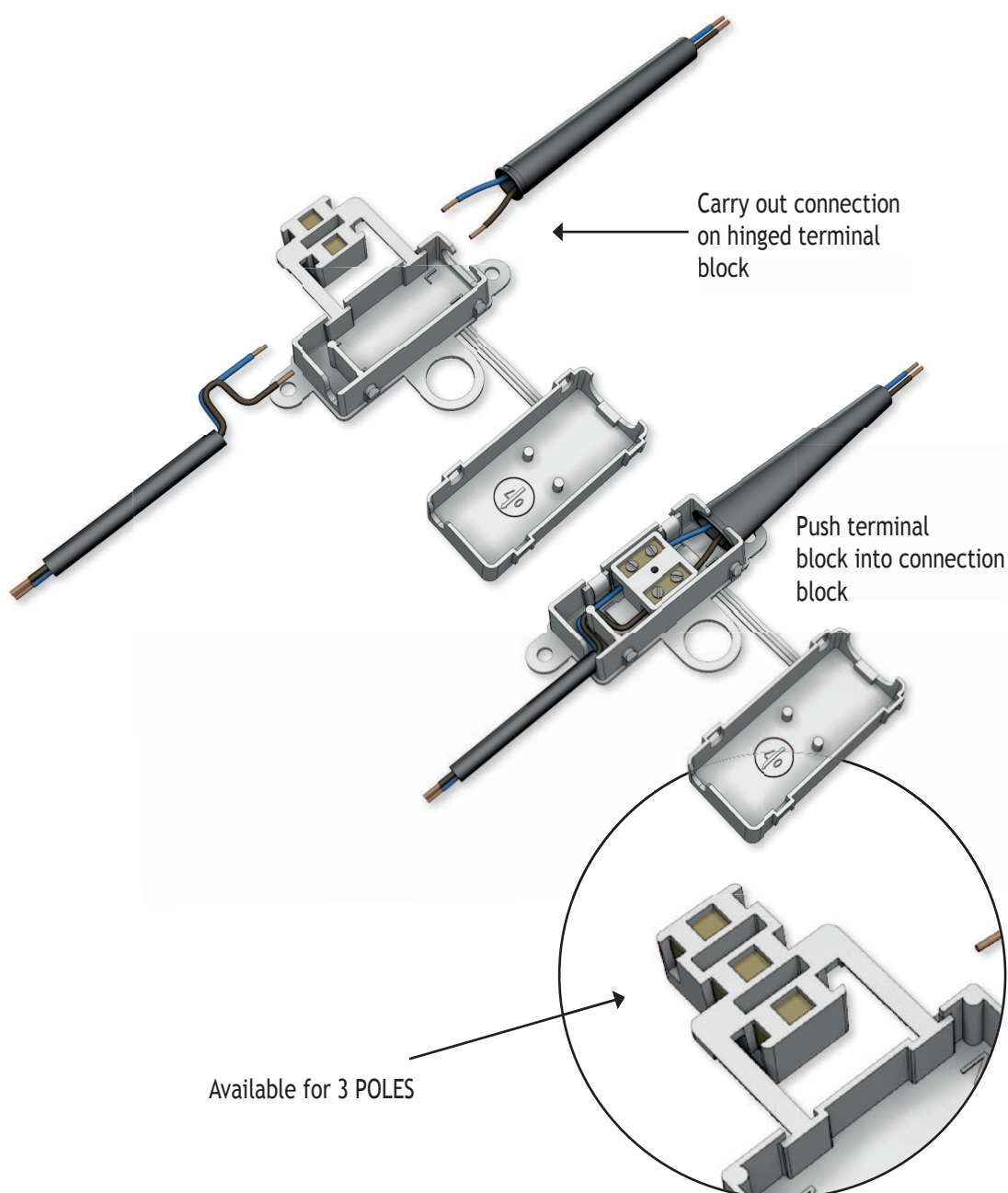


BMA CONNECTION BOX WITH HINGED TERMINAL BLOCK

RAPID AND EASY CONNECTION!

Connection in conformance with the European Standard
EN 60598
VDE and LCIE certified



CONNECTION BOXES

ISODOM® BMA 2215 1AT/BMA 2215 1P

CLASS II EN 60598 - CERTIFIED BY VDE AND LCIE - PATENTED PRODUCT

TERMINALS + SLEEVE MOUNTED VERSION

BMA 1 (2X1,5 1AT) P00007 876202

BMA 21 (2X1,5 1P) P00006 872102

KIT VERSION (UNMOUNTED)

BMA 2 (2X1,5 1AT) P00097 789602

BMA 22 (2X1,5 1P) P00006 872103



BMA 1 - 2215 1AT

BMA 21 2215 1P

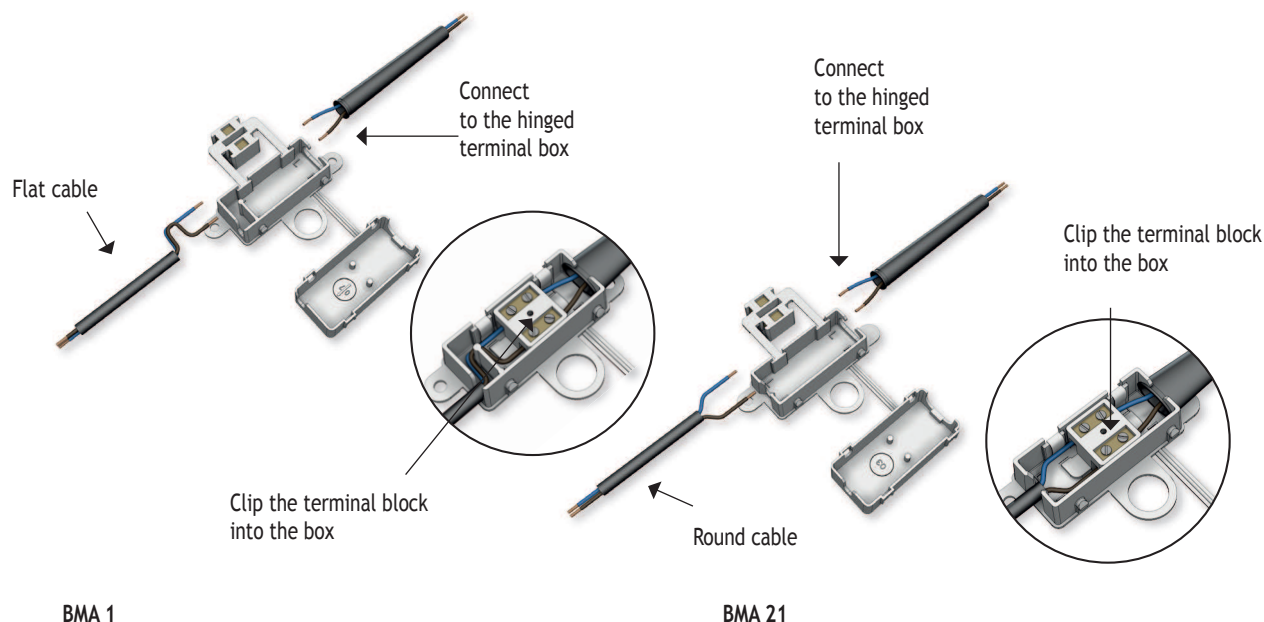
PURPOSE

- To provide a Class II insulation for 2-pole connections
Connect at:
 - Sleeve side: two single insulation wires (1.5 mm² gauge) arriving from mains supply (wall, ceiling, power outlet, and so on...)
 - Opposite side:
 - Z-type cable grip (1AT) for flat cable, double insulation H03 V V H2F type, coming from the luminaire
 - V-type cable holder (1P) for round cable, double insulation H03 V V F type, coming from the luminaire

FEATURES

- Made of injection moulded insulating thermoplastic that meets the incandescent wire test requirements
- Suitable for continuous use at 105°C
- Consists of a box + cover assembly equipped with a HINGED terminal block and a quick fit-sleeve to enable easy connection
- The 8 cm flexible sleeve provides additional insulation to single insulation wires from the mains supply
- Colour: white
- Overall dimensions, box closed: 42 x 19 x 11.5 mm

ISODOM® BMA 2215 1AT/BMA 2215 1P



BMA 1

BMA 21

ADVANTAGES

- The HINGED TERMINAL BLOCK enables quick and easy connection
- Captive parts
- Small dimensions
- Connections or wires can be replaced easily
- Optional mounting of the box using exterior lugs
- Can be used in Class II metal lamps without the need for any additional fittings
- Compliance with European Standard EN 60598

ASSEMBLY

See figure here above.

Install the sleeve on the wires coming from the mains supply.

Carry out connection of terminals while terminal block is hinged outside of the box.

Clip the terminal block into the box.

Insert sleeve head into the box as shown in figure.

Position the flat or round cable from the power supply into the Z-type cable grip or V-type cable holder respectively.

Clip on the cover.

The box can be reopened by inserting a tool between the cover and the rim of the base plate.

ISODOM® BMA 2215 2AT / BMA 2215 2P

CLASS II EN 60598 - CERTIFIED BY VDE AND LCIE - PATENTED PRODUCT

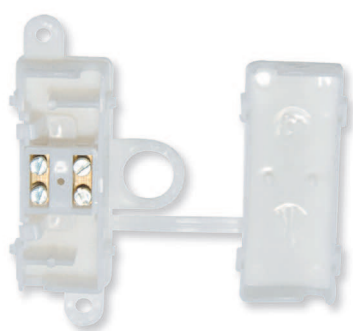
TERMINALS MOUNTED VERSION

BMA 19 (2X1,5 2AT) P00097 789807

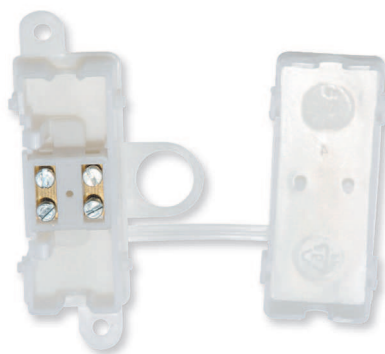
BMA 23 (2X1,5 2P) P00008 892702

KIT VERSIONS (UNMOUNTED)

BMA 20 (2X1,5 2AT) P00098 789805



BMA 19



BMA 23

PURPOSE

- To provide a Class II insulation for 2-pole connections:
 - 2 x 1.5 2AT: connect 2 flat cables double insulation type H03 V V H2F with Z-type cord grip at each end
 - 2 x 1.5 2P: connect 2 round cables double insulation type H03 V V F with V-type cable holder at each end

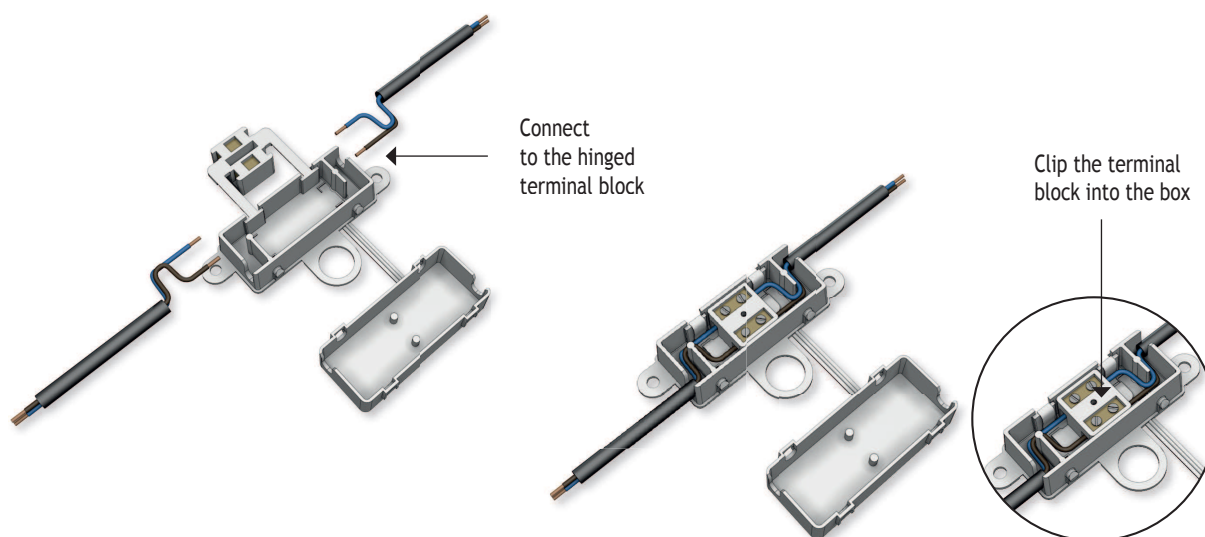
FEATURES

- Made of injection moulded insulating thermoplastic that meets the incandescent wire test requirements
- Suitable for continuous use at 105°C
- Consist of a box + cover assembly equipped with a HINGED TERMINAL BLOCK
- Colour: white
- Overall dimensions, box closed: 46 x 19 x 11.5 mm

ADVANTAGES

- The HINGED TERMINAL BLOCK enables quick and easy connection
- Captive parts
- Small dimensions
- Connections or wires can be replaced easily
- Optional mounting of the box using exterior lugs
- Can be used in Class II metal lamps without the need for any additional fittings
- Compliance with European Standard EN 60598

ISODOM® BMA 2215 2AT/BMA 2215 2P



BMA 2215 2AT

BMA 2215 2AT

ASSEMBLY

- Carry out connection of terminals while terminal block is hinged outside of the box.
- Clip the terminal block inside the box
- Position the flat or round cable into the Z-type cable grip or V-type cable holder respectively
- Clip on the cover
- The box can be reopened by inserting a tool between the cover and the rim of the base plate

ISODOM® BMA 2315 1P

CLASS II EN 60598 - CERTIFIED BY VDE AND LCIE - PATENTED PRODUCT

TERMINALS + SLEEVE MOUNTED VERSION

BMA 7 (3X1,5 1P) P00003 833805

KIT VERSION (UNMOUNTED)

BMA 8 (3X1,5 1P) P00003 833804



BMA 7

PURPOSE

- To provide a class I or II insulation for 3-pole connections:
 - Sleeve side: 3 single insulation wires (1.5 mm² gauge) from the mains supply (wall, ceiling power outlet, and so on...)
 - V-type cable holder side: a round cable, double insulation (3 x 0.5 or 3 x 0.75mm²), H03 V V type coming from the luminaire

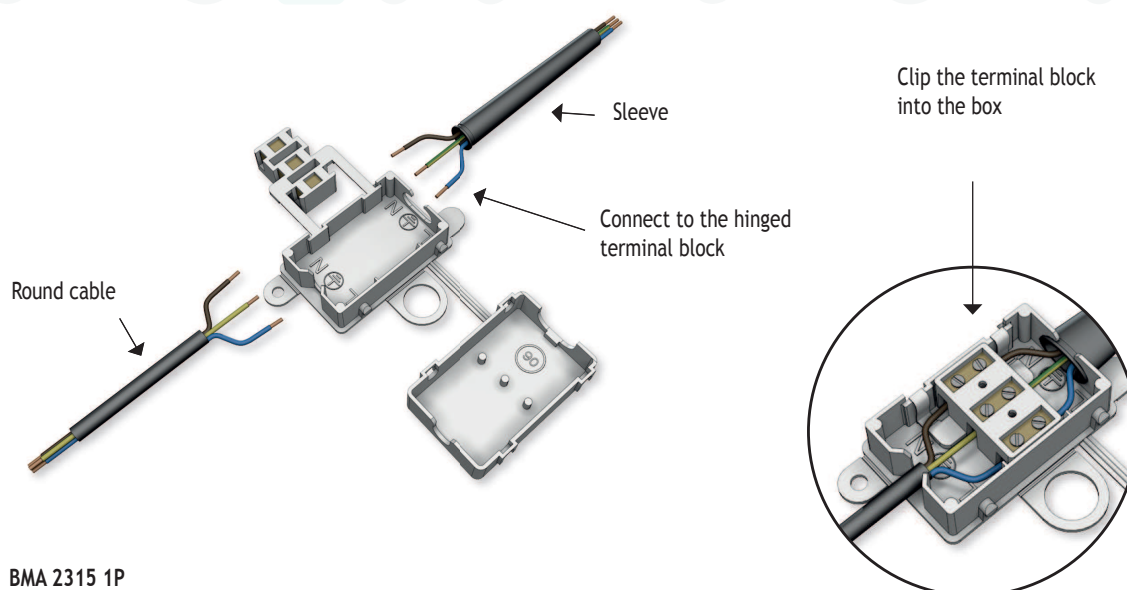
FEATURES

- Made of injection moulded insulating thermoplastic that meets the incandescent wire test requirements
- Suitable for continuous use at 105°C
- Consists of a box + cover assembly equipped with a HINGED TERMINAL BLOCK and a QUICK FIT-sleeve to enable easy connection
- The 8 cm flexible sleeve provides additional insulation to single insulation wires from the mains supply
- Colour: white
- Overall dimensions, box closed: 42.5 x 27.5 x 11.5 mm

ADVANTAGES

- The HINGED TERMINAL BLOCK enables quick and easy connection
- Captive parts
- Small dimensions
- Connections or wires can be replaced easily
- Optional mounting of the box using exterior lugs
- Can be used in Class II metal lamps without the need for any additional fittings
- Compliance with European Standard EN 60598

ISODOM® BMA 2315 1P



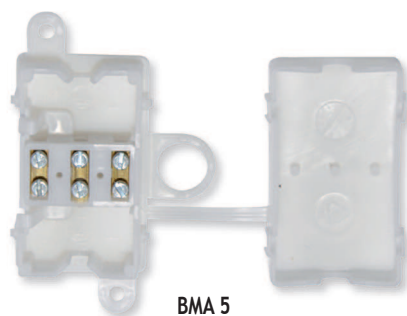
ASSEMBLY

- Install the sleeve on the wires coming from the mains supply
- Carry out connection of terminals while terminal block is hinged outside of the box
- Clip the terminal block inside the box
- Insert the sleeve head into the box as shown in figure
- Position the round cable from the power supply into the V-type cable holder
- Clip on the cover
- The box can be reopened by inserting a tool between the cover and the rim of the base plate

ISODOM® BMA 2315 2P

CLASS II EN 60598 - CERTIFIED BY VDE AND LCIE - PATENTED PRODUCT

TERMINALS MOUNTED VERSION
BMA 5 (3X1,5 2P) P00097 782804



BMA 5

DESTINATION

- To provide a Class I or II insulation for 3-pole connections and connect two round cables double insulation (3 x 0.5 or 3 x 0.75 mm²) type H03 V V F

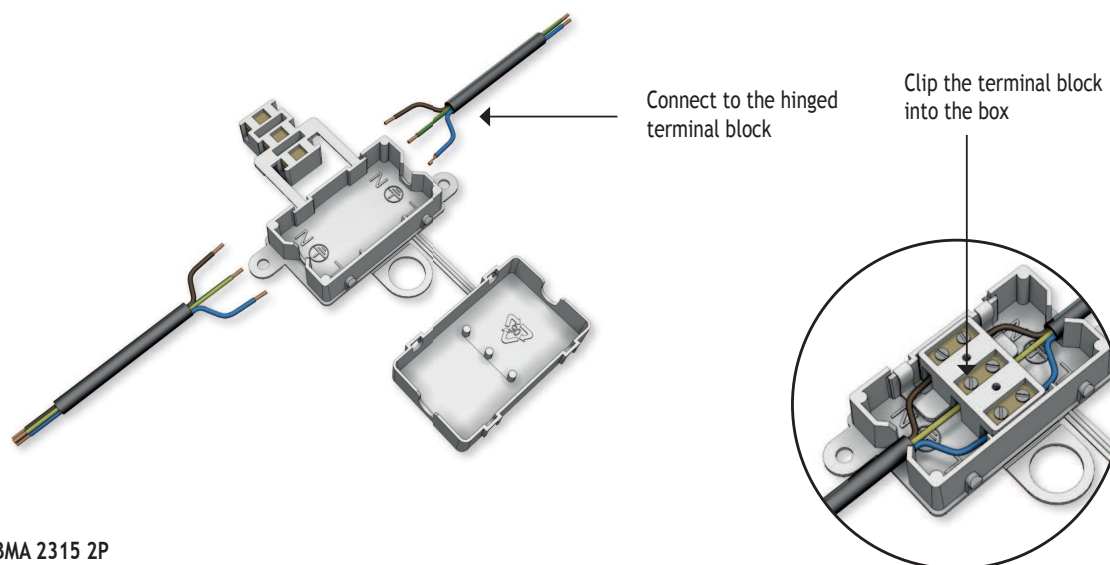
FEATURES

- Made of injection moulded insulating thermoplastic that meets the incandescent wire test requirements
- Suitable for continuous use at 105°C
- Consists of a box + cover assembly equipped with a HINGED TERMINAL BLOCK
- Colour: white
- Overall dimensions, box closed: 42.5 x 27.5 x 11.5 mm

ADVANTAGES

- The HINGED TERMINAL BLOCK enables quick and easy connection
- Captive parts
- Small dimensions
- Connections or wires can be replaced easily
- Optional mounting of the box using exterior lugs
- Can be used in Class II metal lamps without the need for any additional fittings
- Compliance with European Standard EN 60598

ISODOM® BMA 2315 2P



BMA 2315 2P

ASSEMBLY

- Carry out connection of terminals while terminal block is hinged outside the box
- Clip the terminal block inside of the box
- Position the cables into the V-type cable holder
- Clip on the cover
- The box can be reopened by inserting a tool between the cover and the rim of the base plate

ISODOM[®] BMA 2225 1DP

CLASS II EN 60598 - CERTIFIED BY VDE AND LCIE - PATENTED PRODUCT

TERMINALS + SLEEVE MOUNTED VERSION
BMA 9 (2X2,5 1DP) P00097 789704



BMA 9

PURPOSE

- To provide a Class II insulation cover for 2-pole terminal blocks and to be able to connect at:
 - Sleeve side: two single-insulation wires (1.5 mm² gauge) from mains supply (wall, ceiling power outlet, and so on...)
 - Opposite side with V-Type cable holder (1DP): 1 to 4 flat cables, double insulation H03 V V H2F (2 x 0.5 mm² or 2 x 0.75 mm²) type coming from the device

FEATURES

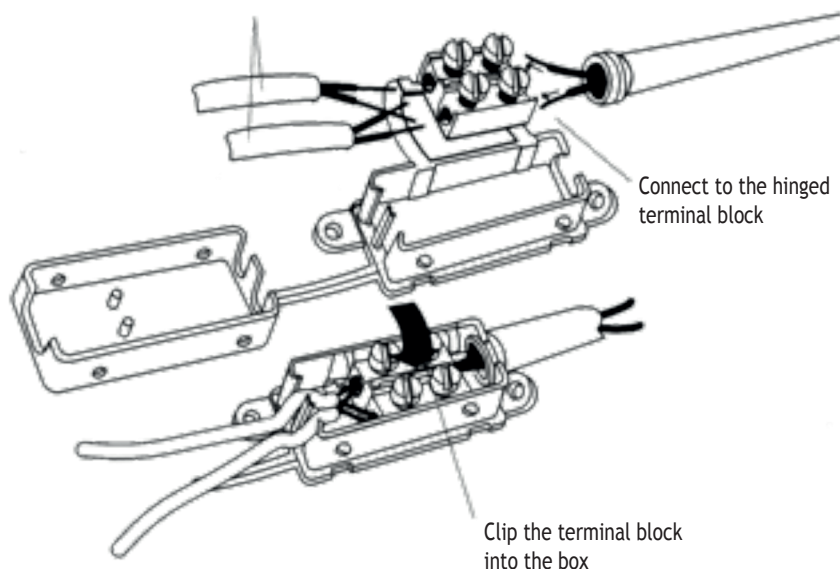
- Made of injection moulded insulating thermoplastic that meets the incandescent wire test requirements
- Suitable for continuous use at 105°C
- Consists of a box + cover assembly equipped with a HINGED TERMINAL BLOCK and a QUICK FIT-sleeve to enable easy connection
- The 8 cm flexible sleeve provides additional insulation to single insulation wires from the mains supply
- Colour: white Overall dimensions, box closed: 48.5 x 21 x 14.5 mm

ADVANTAGES

- The HINGED TERMINAL BLOCK enables quick and easy connection
- Captive parts. Small dimensions
- Connections or wires can be replaced easily
- Optional mounting of the box using exterior lugs
- Can be used in Class II metal lamps without the need for any additional fittings
- Compliance with European Standard EN 60598

ISODOM® BMA 2225 1DP

Flat cables



BMA 9

ASSEMBLY

- Install the sleeve on the wires coming from the mains supply
- Carry out connection of terminals while terminal block is hinged outside of the box
- Clip the terminal block inside the box
- Insert the sleeve head into the box as shown in figure
- Position the flat cables from the power supply into the two V-type cable holders of the box
- Clip on the cover
- The box can be reopened by inserting a tool between the cover and the rim of the base plate

CONNECTION BOXES

ISODOM® BMA 2225 1DP + 1GP BMA 2225 2DP

CLASS II EN 60598 - CERTIFIED BY VDE AND LCIE - PATENTED PRODUCT

TERMINALS MOUNTED VERSION

BMA 11 (2X2,5 1DP + 1GP) P00097 789706

BMA 13 (2X2,5 2DP) P00097 789705



BMA 11



BMA 13

PURPOSE

- To provide a Class II insulation cover for 2-pole junctions and to be able to connect:
 - at 2 x 2.5 → 1DP + 1 GP (with two V-type cable holders at one side and one big V-type cable holder at the other side): one thick round cable double insulation (2 x 1.5 mm² or 2 x 2.5 mm²) and at the other end one or max. four flat cables double insulation H03 V V H2F type
 - at 2 x 2.5 → 2DP (with two V-type cable holders at each side): a double insulation round or flat cable (2 x 0.75 mm²) and at the other end one or max. four flat cables double insulation H03 V V H2F type

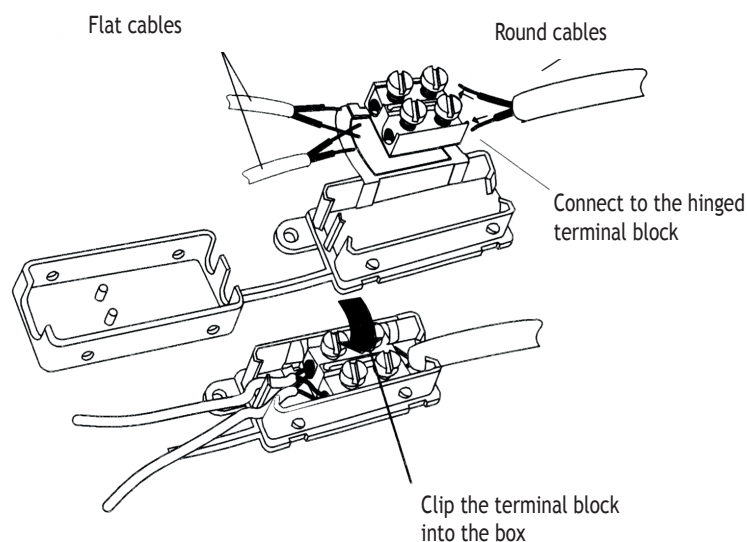
FEATURES

- Made of injection moulded insulating thermoplastic that meets the incandescent wire test requirements
- Suitable for continuous use at 105°C
- Consists of a box + cover assembly with a hinged terminal block
- Colour: white
- Overall dimensions (box closed): 48.5 x 21 x 14.5 mm

ADVANTAGES

- The HINGED TERMINAL BLOCK enables quick and easy connection
- Captive parts
- Small dimensions
- Connections or wires can be replaced easily
- Optional mounting of the box using exterior lugs
- Can be used in Class II metal lamps without the need for any additional fittings
- Compliance with the European Standard EN 60598

ISODOM® BMA 2225 1DP + 1GP BMA 2225 2DP



BMA 11
BMA 11

ASSEMBLY

- Carry out connection of terminals while terminal block is hinged outside of the box
- Clip the terminal block inside the box
- Position the round cables into the largest V-type cable holders and the flat cables into the smaller V-type cable holders
- Clip on the cover
- The box can be reopened by inserting a tool between the cover and the rim of the the base holder

CONNECTION BOXES