

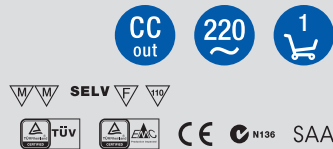
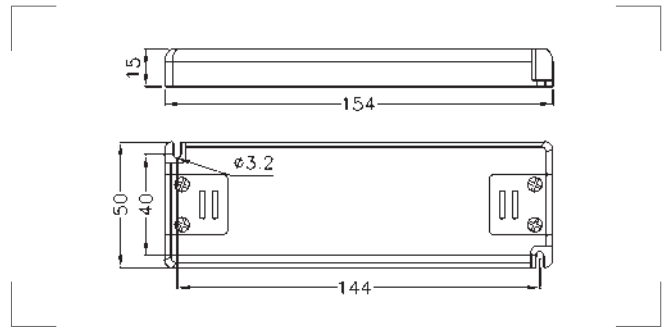
● **Descrizione / Description**

LED driver corrente costante 700mA - 20W.
Classe II, morsetti a vite.

Constant current LED driver: 700mA - 20W.
Class II, screw terminals.

● **Temperatura / Temperature**

t_c : + 80°C / t_a : + 45°C



Codice Code	Tensione di ingresso Input voltage (Vac)	Uscita / Output (CC)	Uscita / Output (Vdc)	Load Range (W)
DRN0700020.240	200~240V (50/60Hz)	700mA	14~29V	9,8~20W