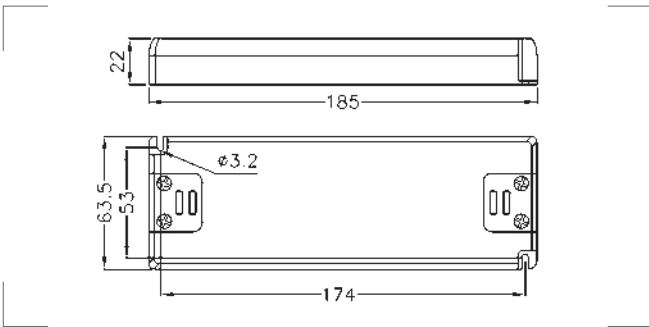


DRN0500050.240**500mA****Driver LED 350/500/700mA**
350/500/700mA LED drivers

● Descrizione / Description

LED driver corrente costante 500mA - 50W.
Classe II, morsetti a vite.

*Constant current LED driver: 500mA - 50W.
Class II, screw terminals.*

● Temperatura / Temperature

t_c : + 80°C / t_a : + 45°C



Codice Code	Tensione di ingresso Input voltage (Vac)	Uscita / Output (CC)	Uscita / Output (Vdc)	Load Range (W)
DRN0500050.240	200~240V (50/60Hz)	500mA	50~100V	25~50W