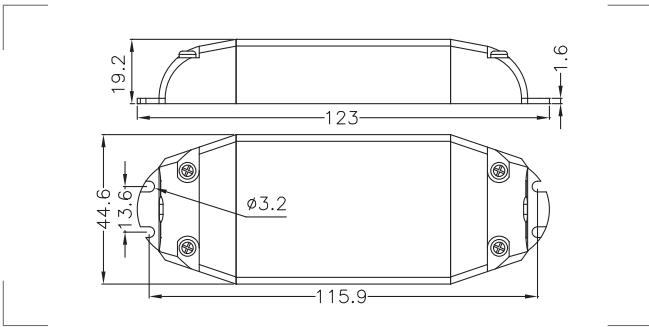


**DRN0500015.242****500mA****Driver LED 350/500/700mA**  
**350/500/700mA LED drivers****● Descrizione / Description**

LED driver corrente costante 500mA - 15W.  
Classe II, morsetti a vite.

*Constant current LED driver: 500mA - 15W.  
Class II, screw terminals.*

**● Temperatura / Temperature**

$t_c$ : + 80°C /  $t_a$ : + 45°C



Codice Code	Tensione di ingresso Input voltage (Vac)	Uscita / Output (CC)	Uscita / Output (Vdc)	Load Range (W)
<b>DRN0500015.242</b>	200~240V (50/60Hz)	500mA	15~30V	7,5~15W