

● **Descrizione / Description**

LED driver corrente costante, con uscita multipla 500~1400mA - 60W, selezionabile mediante dip-switch. Classe II, morsetti a vite.

DRM1400060.220: Dimmerabile DALI e funzione "push dimming".

DRM1400060.221: Dimmerabile 0~10V e PWM.

Con funzione master/slave (max 10 unità).

Constant current LED driver, multiple output: 500~1400mA - 60W, selectable by DIP-switch. Class II, screw terminals.

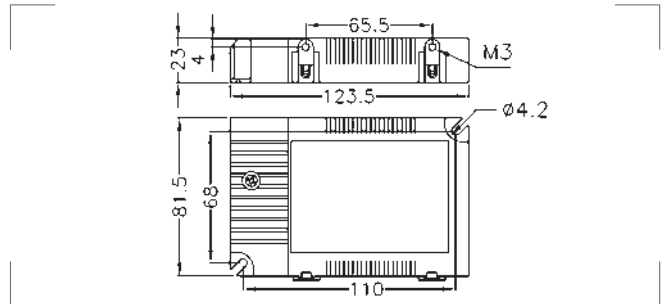
DRM1400060.220: Dimmable DALI and push-dimming.

DRM1400060.221: Dimming 0~10V and PWM.

With master/slave function (max 10 units).

● **Temperatura / Temperature**

t_c : + 90°C / t_a : + 60°C



Codice Code	Tensione di ingresso Input voltage (Vac)	Uscita Output (CC)	Uscita Output (Vdc)	Load Range (W)	Uscita Output (CC)	Uscita Output (Vdc)	Load Range (W)
DRM1400060.220 / DRM1400060.221	180~295V (47/63Hz)	500mA	2~90V	45W	900mA	2~67V	60W
		600mA	2~90V	54W	1050mA	2~57V	60W
		700mA	2~86V	60W	1400mA	2~42V	58,8W