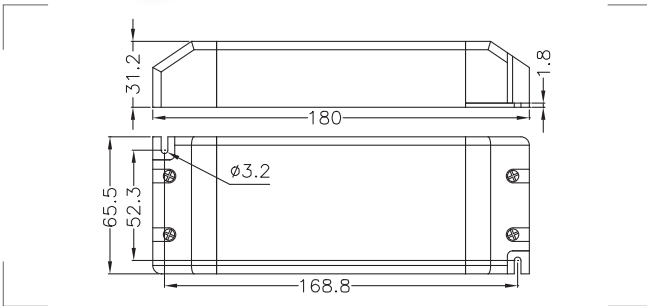


**ALN012100.243****12V****Alimentatori LED 12V-24V**  
**12V-24V LED power supplies**

### ● Descrizione / Description

Alimentatore LED 12V - 8,33A - 100W.  
Classe II.  
Morsetti a vite.

*LED power supply: 12V - 8.33A - 100W.  
Class II.  
Screw terminals.*

### ● Temperatura / Temperature

$t_c: + 80^{\circ}\text{C} / t_a: + 45^{\circ}\text{C}$



Codice Code	Tensione di ingresso / Input voltage (Vac)	Uscita / Output (Vdc)	Uscita / Output (A)	Max Load (W)
<b>ALN012100.243</b>	200~240V (50/60Hz)	12V	8,33A	100W